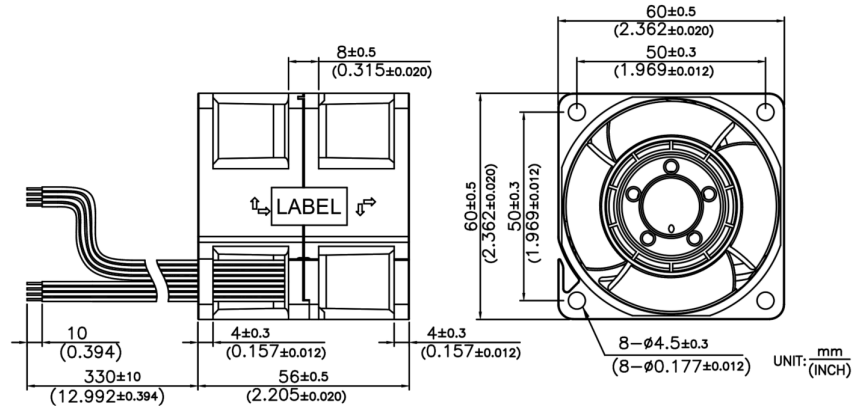
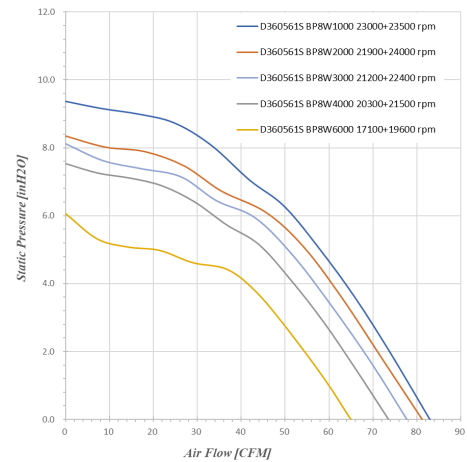


iCloud Fan 60*60*56 MM

DIMENSION DRAWING



Housing : Plastic (UL 94V-0)
 Impeller : Plastic (UL 94V-0)
 Bearing : Ball bearing
 Lead Wires : UL10368 AWG22 OR Equivalent
 Mass : 190g



Product Type	Model No.	Control Type	Bearing Type	Rated Voltage	Operating Voltage Range	Operating Temp.	Input Current	Input Power	Inlet fan Speed	Outlet fan Speed	Maximum Air Flow		Maximum Air Pressure			Noise
				VDC	VDC	°C	A	W	R.P.M	R.P.M	CFM	m ³ /min	inH2O	mmH2O	Pa	dB(A)
6056 12V Series	D360561S BP8W1000	+/-FG/PWM	Ball	12	10.8~13.2	-10~70	4.41	52.9	23000	23500	83.0	2.3	9.4	238	2331	81.3
	D360561S BP8W2000	+/-FG/PWM	Ball	12	10.8~13.2	-10~70	4.25	51.0	21900	24000	81.3	2.3	8.3	212	2077	80.1
	D360561S BP8W3000	+/-FG/PWM	Ball	12	10.8~13.2	-10~70	3.73	44.7	21200	22400	77.7	2.2	8.1	206	2021	79.5
	D360561S BP8W4000	+/-FG/PWM	Ball	12	10.8~13.2	-10~70	3.18	38.1	20300	21500	73.6	2.1	7.5	191	1877	78.8
	D360561S BP8W6000	+/-FG/PWM	Ball	12	10.8~13.2	-10~70	2.11	25.4	17100	19600	65.0	1.8	6.1	154	1510	75.5
6056 48V Series	D160564S BP8W1000	+/-FG/PWM	Ball	48	36~57	-10~70	1.14	54.5	23000	23500	83.0	2.3	9.4	238	2331	81.3
	D160564S BP8W2000	+/-FG/PWM	Ball	48	36~57	-10~70	1.09	52.5	21900	24000	81.3	2.3	8.3	212	2077	80.1
	D160564S BP8W3000	+/-FG/PWM	Ball	48	36~57	-10~70	0.96	46.0	21200	22400	77.7	2.2	8.1	206	2021	79.5
	D160564S BP8W4000	+/-FG/PWM	Ball	48	36~57	-10~70	0.82	39.2	20300	21500	73.6	2.1	7.5	191	1877	78.8
	D160564S BP8W6000	+/-FG/PWM	Ball	48	36~57	-10~70	0.54	26.1	17100	19600	65.0	1.8	6.1	154	1510	75.5